

# Antenna, Strip

## ERF4017

### Description

The ERF4017 antenna is an external 4G LTE antenna with a SMA male connector. The antenna can also be used in the frequency band of 800 ~ 900 MHz / 2400 MHz. The antenna can be used for applications such as, M2M, 2G/3G/4G , GPS/GLONASS and LoRa.



### Technology

- 2G/3G/4G
- GPS/GNSS
- LoRa
- WiFi
- Bluetooth

### Features

Electrical properties	Description		
Frequency marker	Frequency band MHz	Return loss dB	V.S.W.R.
1	700	-2,1	< 8.3
2	800	-3,9	< 4.5
3	900	-2,3	< 7,6
4	1.800	-5,6	< 3.2
5	1.900	-7,1	< 2.6
6	2.100	-10,7	< 1.8
7	2.400	-13,8	< 1.5
8	2.600	-11,0	< 1.8
9	3.500	-13,7	< 1.5
10	5.000	-9,7	< 2.0
11	5.800	-11,5	< 1.7
Nominal Impedance	50 Ω		

# Antenna, Strip

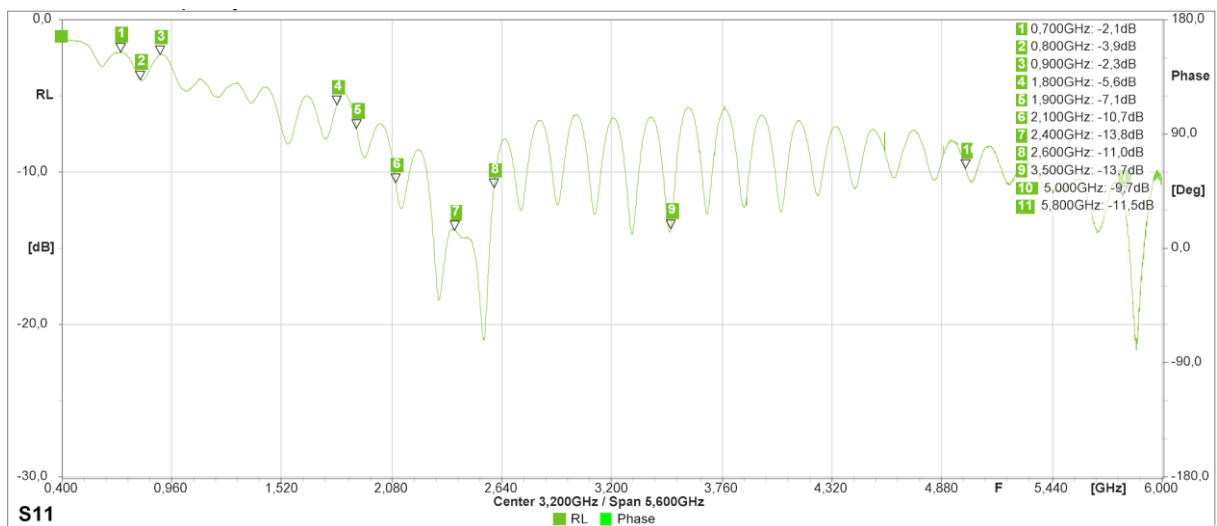
## ERF4017



<b>Polarization</b>	Horizontal
<b>Mechanical Properties</b>	<b>Description</b>
<b>Antenna</b>	External Antenna
<b>Connection</b>	Adhesive
<b>Dimensions</b>	115.6 *21.7*5.8 mm ± 0.2
<b>Cable length</b>	500 mm ± 2
<b>Connector</b>	SMA (Male)
<b>Antenna Color</b>	Black
<b>Operating Temp</b>	-30°C~+70°C
<b>Storage Temp</b>	-30°C~+70°C

### Antenna Properties

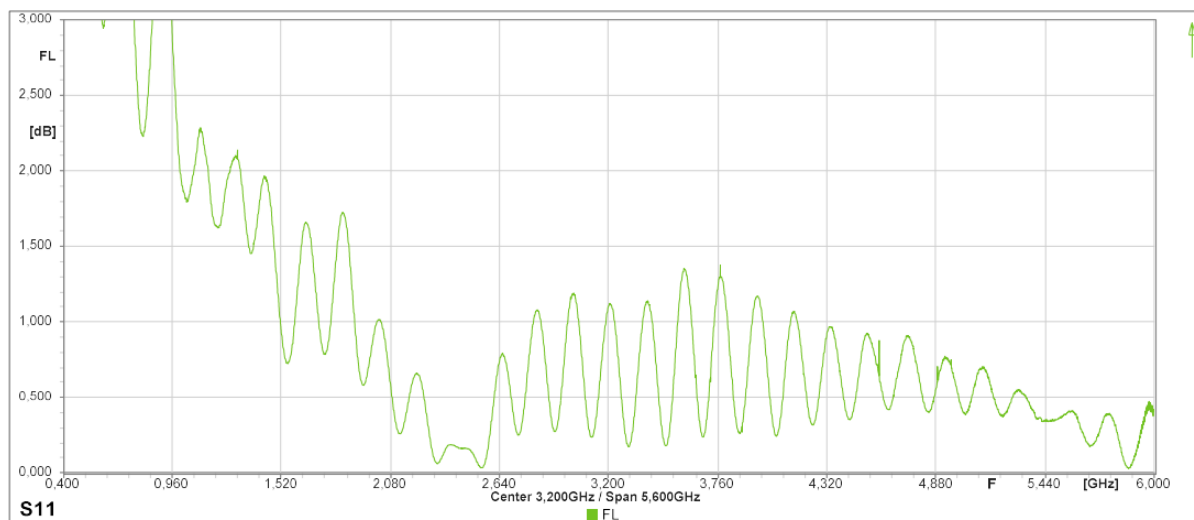
#### Return Loss



# Antenna, Strip

## ERF4017

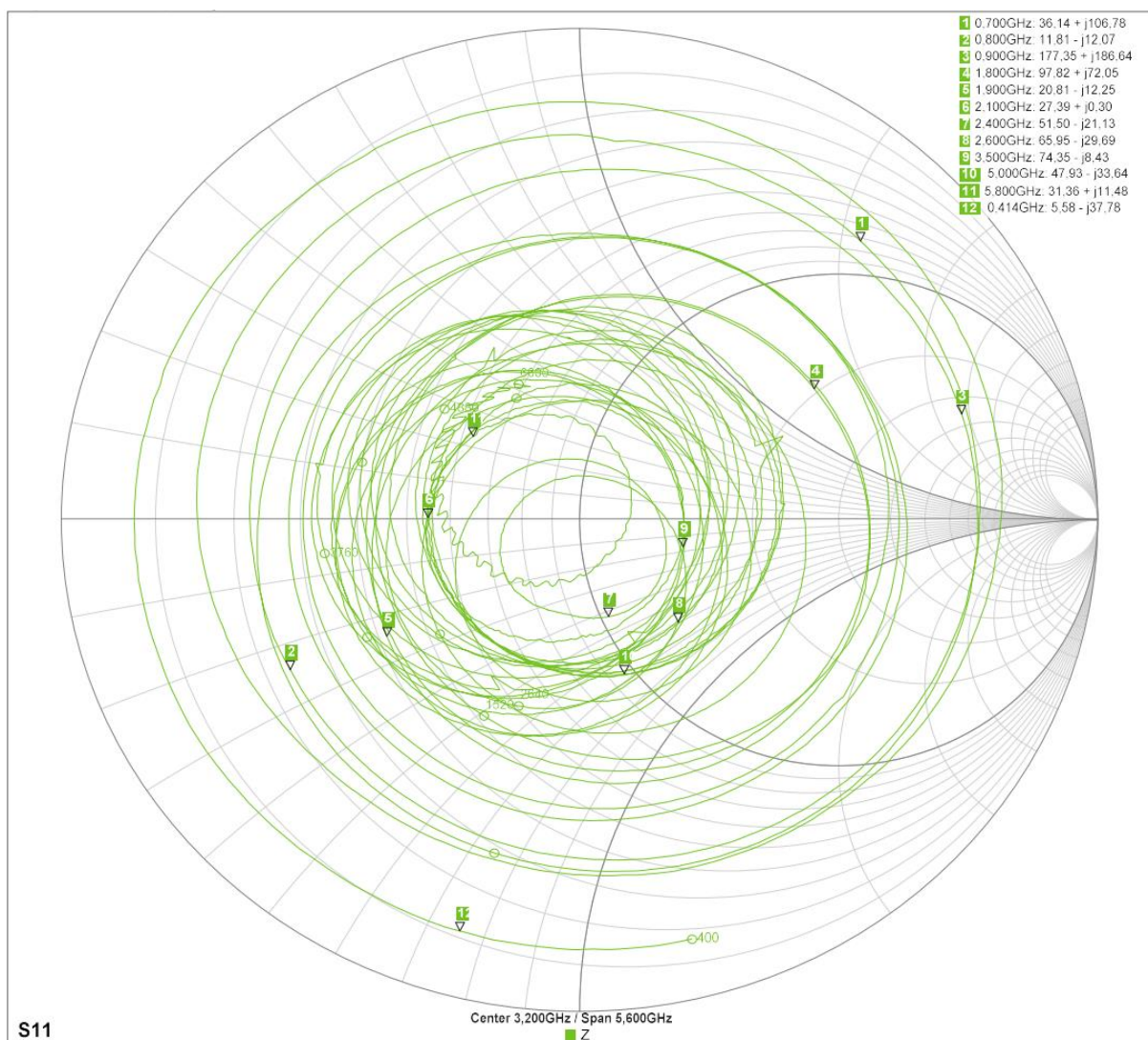
### Forward Loss



# Antenna, Strip

## ERF4017

Impedance

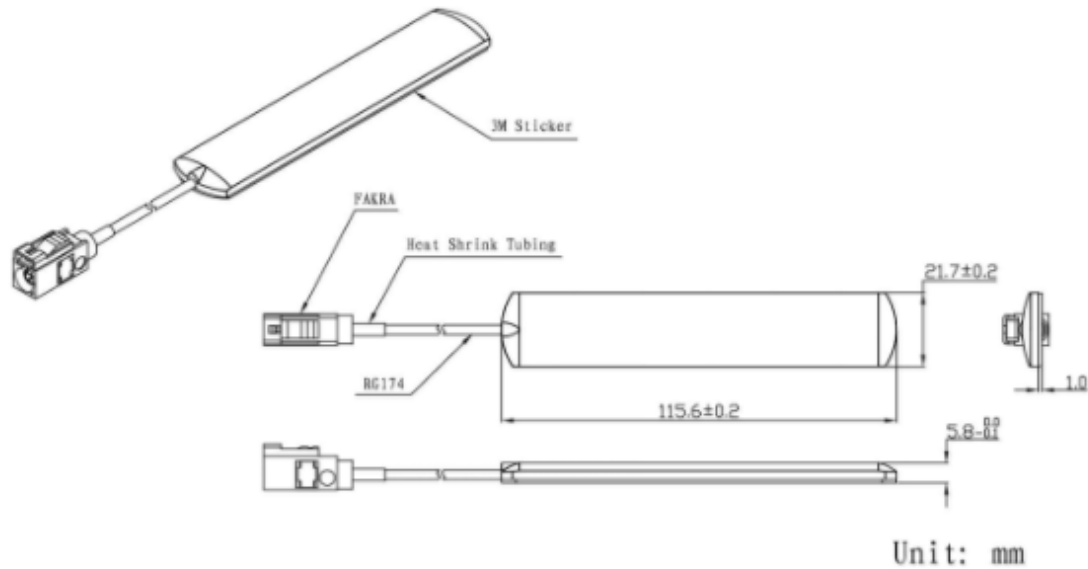


# Antenna, Strip

## ERF4017

### Dimensions

\*Unit: mm



### Connector



The ERF4017 uses a SMA male connector.

### Ordering information

Ordering can be done via [www.summit-electronics.com](http://www.summit-electronics.com) or via [info@summit-electronics.com](mailto:info@summit-electronics.com). Please contact us for more information. Customisation of the product is available on request.

### Technical support

For all product questions please contact us via [info@summit-electronics.com](mailto:info@summit-electronics.com)

Document revision

Rev	Date	changes
2023v1	06-04-2023	First issue of document